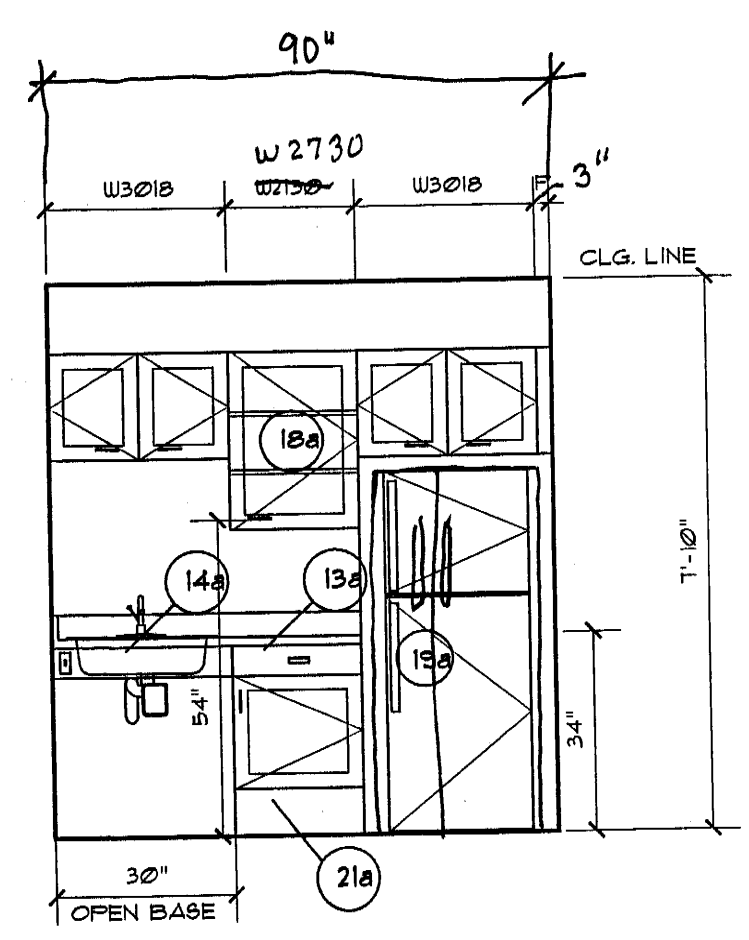
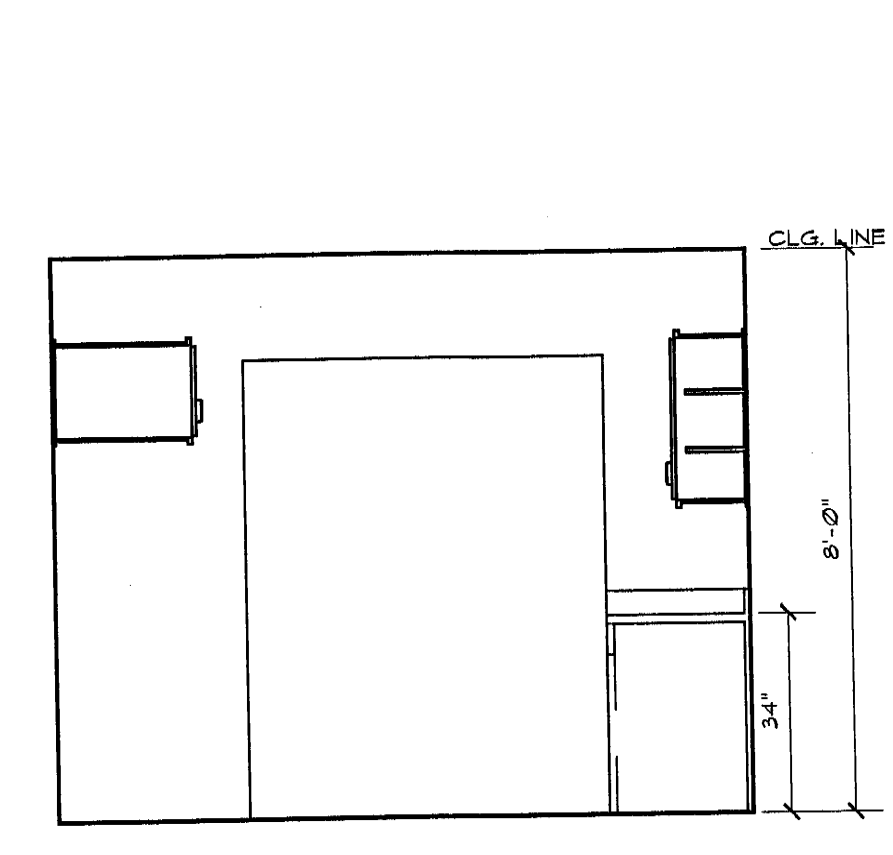


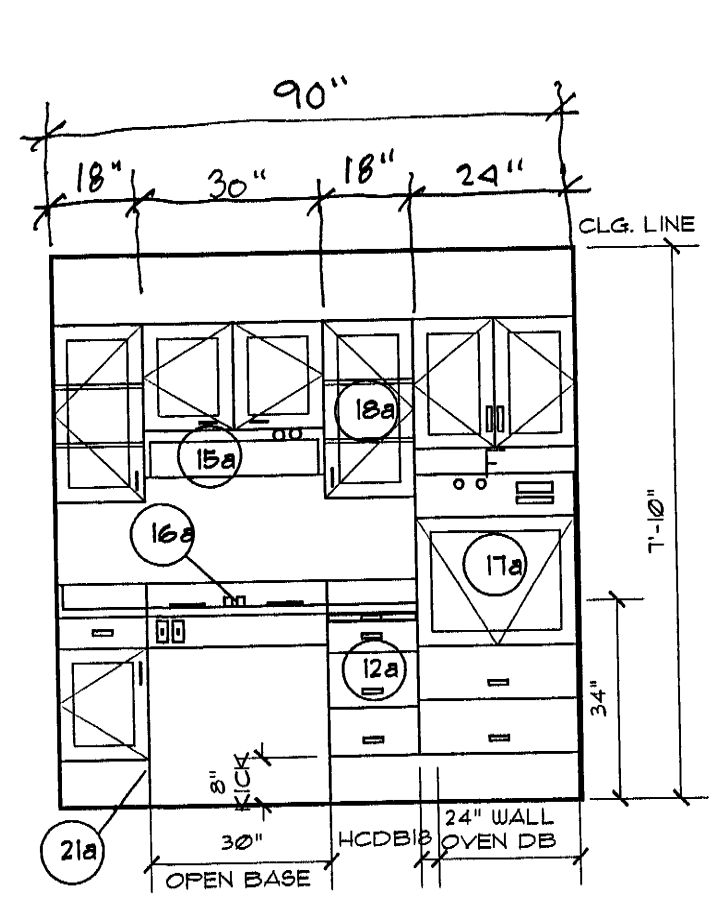
1 TYPICAL HP UNIT KITCHEN
A4.01 SCALE: 3/8" = 1'-0"



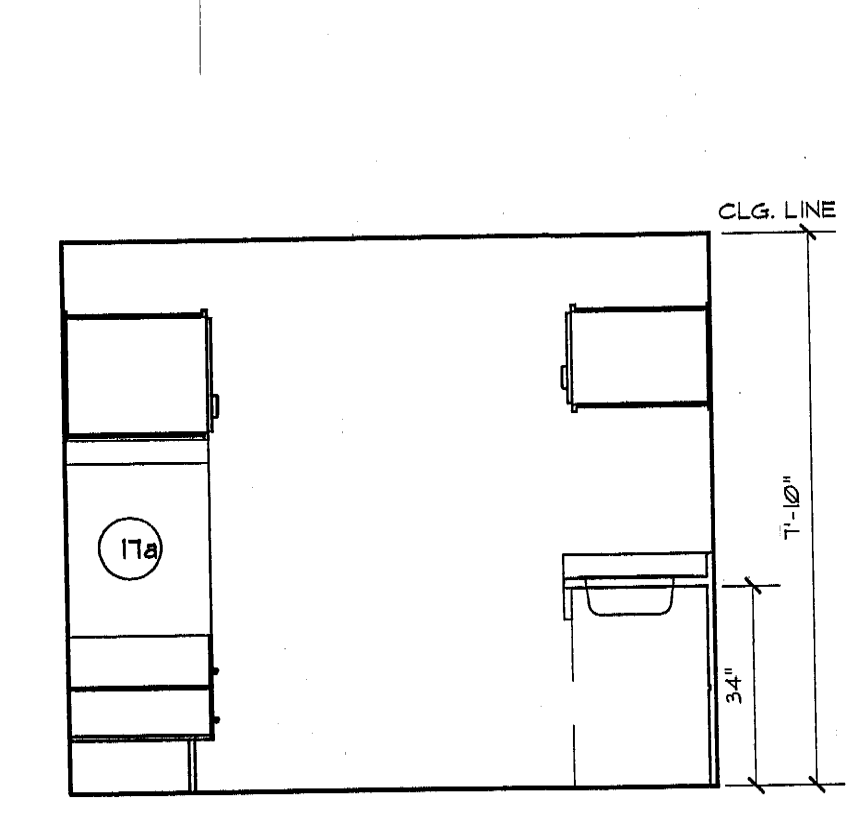
A ELEVATION
SCALE: 3/8" = 1'-0"



B ELEVATION
SCALE: 3/8" = 1'-0"



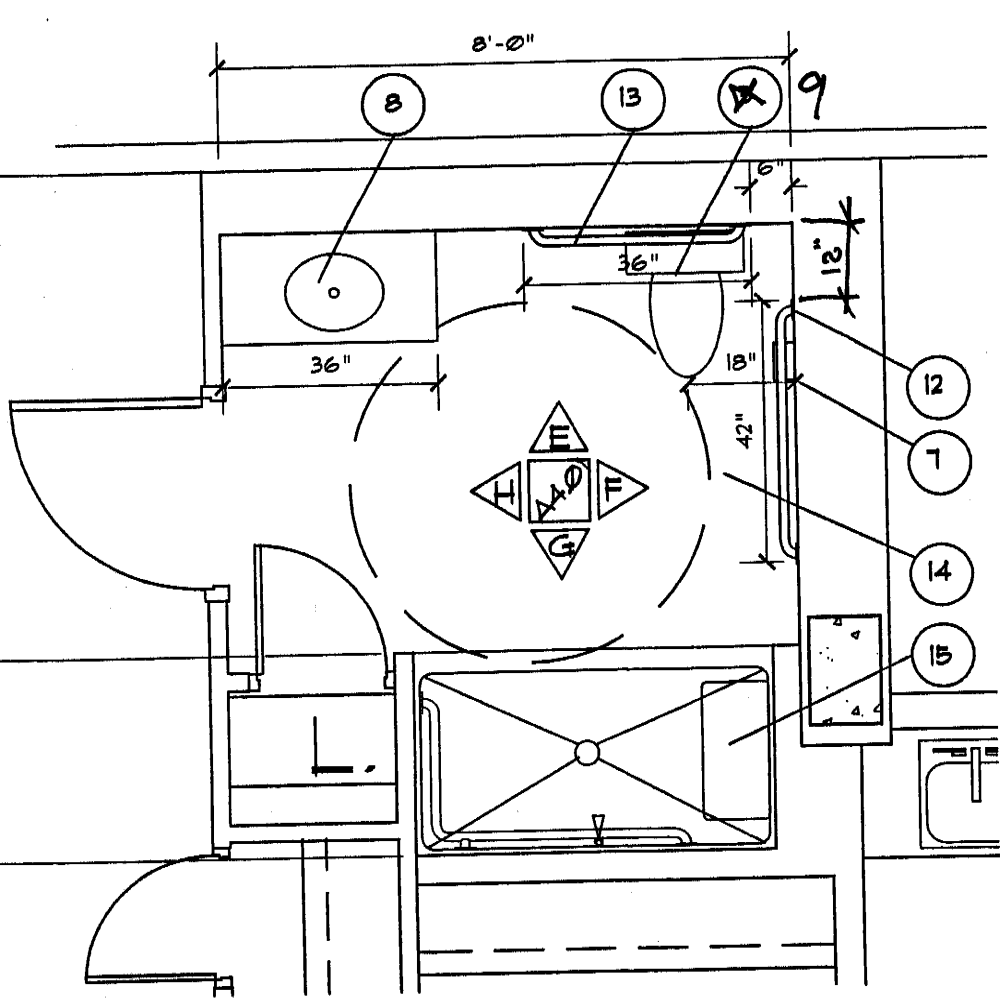
C ELEVATION
SCALE: 3/8" = 1'-0"



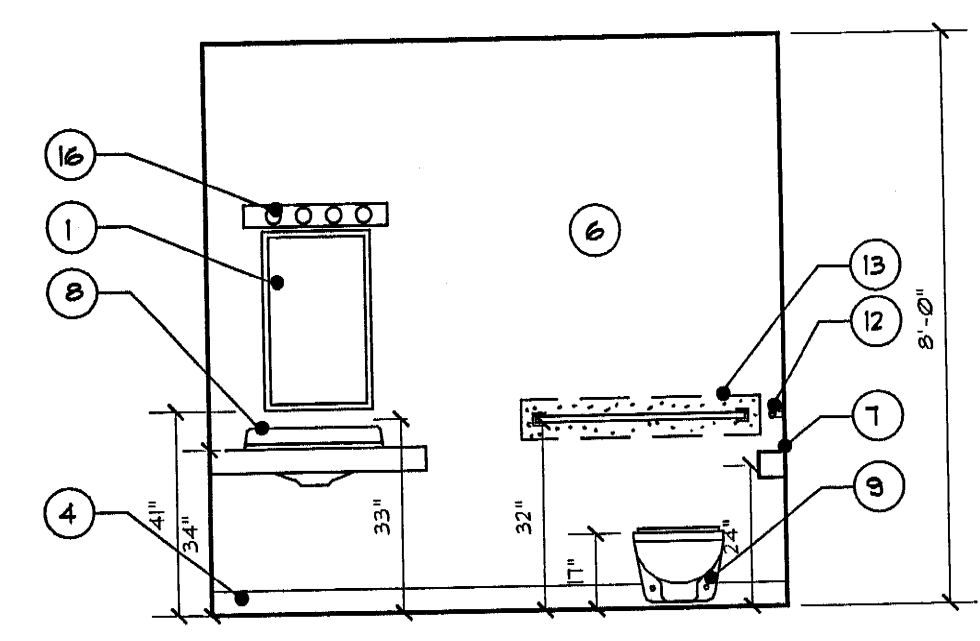
D ELEVATION
SCALE: 3/8" = 1'-0"

- WORK NOTES:
- 12a.) PROVIDE AND INSTALL NEW HC CABINET BASES WITH 8" TOE KICKS AND A COUNTERTOP FINISH HEIGHT OF 34" AFF. PROVIDE AN 18" DRAWER BASE WITH A FULL OUT BREAD BOARD BETWEEN THE COOKTOP & WALL OVEN UNIT.
 - 13a.) PROVIDE AND INSTALL ADJUSTABLE COUNTERTOP. PROVIDE FOUR HEAVY DUTY WORK STATION BRACKETS (18"x30") BY AM HARDWARE. INSTALL COUNTERTOP SECTION AT 34" AFF.
 - 14a.) PROVIDE AND INSTALL NEW 28" SINGLE BOWL STAINLESS STEEL SINK WITH RIGHTSIDE OFFSET DRAIN. PROVIDE HP GARBAGE DISPOSAL WITH POWER SWITCH ON FACE OF APRON. TRAP TO BE INSULATED AND PARALLEL WITH WALL.
 - 15a.) PROVIDE AND INSTALL NEW 30" RECIRCULATING RANGE HOOD W/ LIGHT. PROVIDE SEPARATE SWITCH CONTROL FOR THE LIGHT & FAN ON THE APRON OF THE COUNTERTOP. DISABLE SWITCH FUNCTION ON HOOD.
 - 16a.) PROVIDE AND INSTALL NEW 30" ELECTRIC COOKTOP W/ FRONT CONTROLS (COLOR IS TO BE CHOSEN BY ARCHITECT)
 - 17a.) NEW 24" WALL OVEN CABINET AND NEW 24" SELF CLEANING WALL OVEN. OVEN CONTROLS MUST BE BELOW 84" AFF.
 - 18a.) PROVIDE AND INSTALL NEW 30" WALL CABINETS (TYP.)
 - 19a.) PROVIDE AND INSTALL NEW 18CUFT CONVENTIONAL REFRIGERATOR.
 - 20a.) REPLACE ALL EXISTING RECEPTILES IN KITCHEN WITH NEW GFI RECEPTILES. SEE ELECTRICAL DRAWINGS.
 - 21a.) PROVIDE AND INSTALL BASE CABINET.

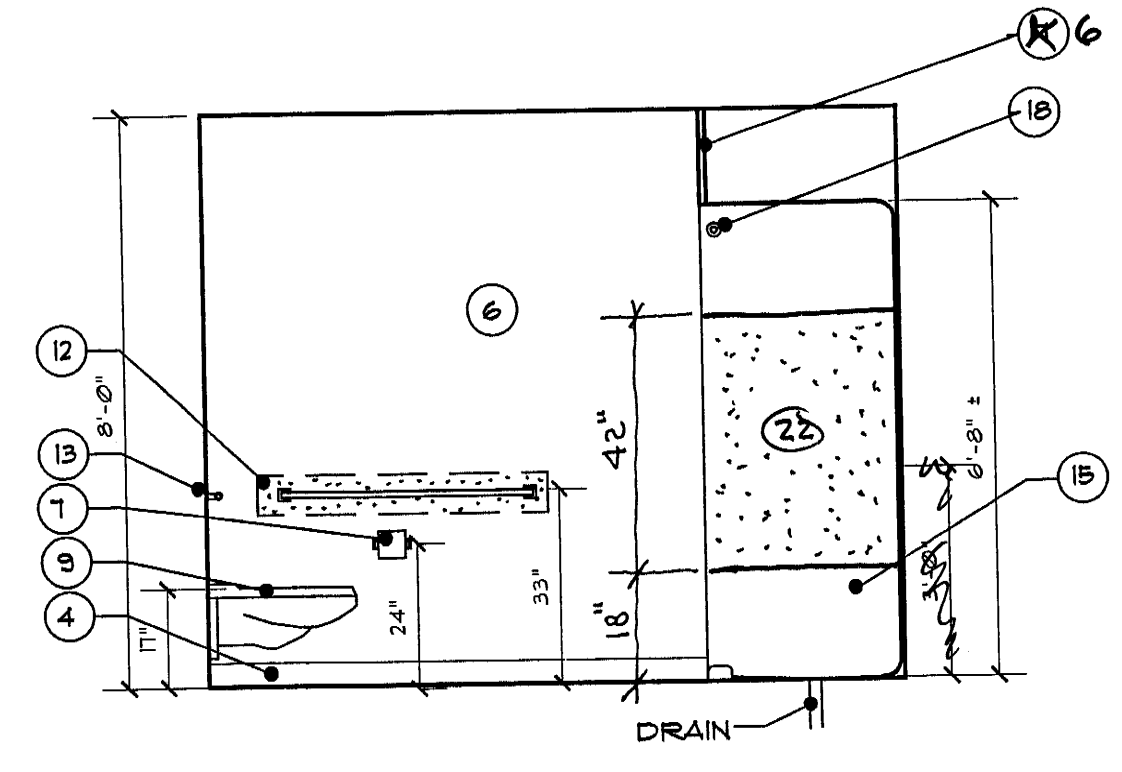
GENERAL NOTE:
1. WALLS SHALL BE CAPABLE OF STRUCTURALLY SUPPORTING WALL CABINETS SO THAT THE INSIDE BOTTOM SURFACE OF THE CABINET IS CAPABLE OF BEING LOCATED BETWEEN 42" AND 54" ABOVE FLOOR.



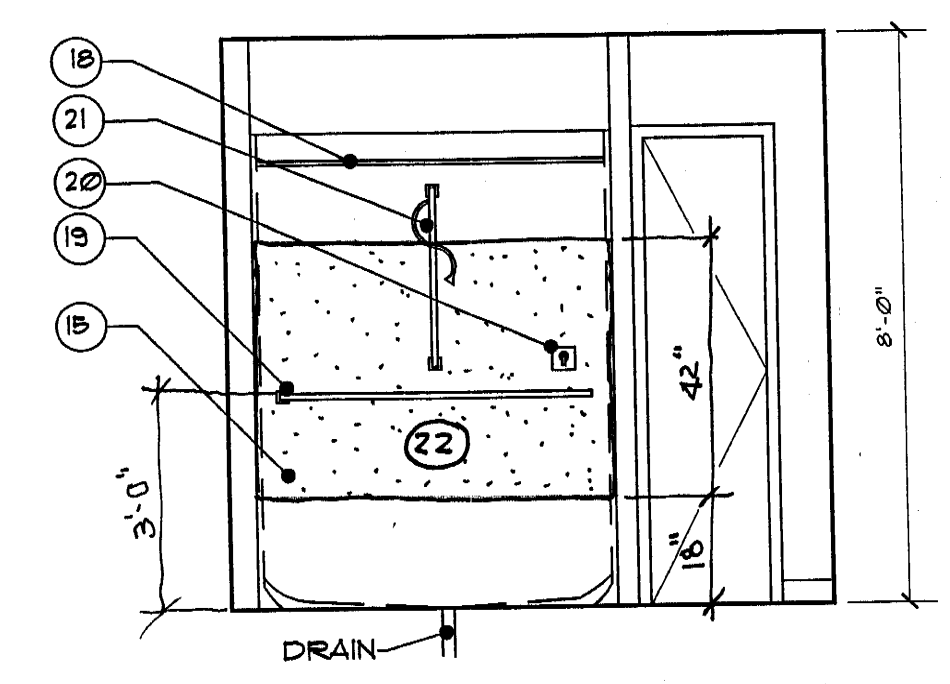
2 TYPICAL HP UNIT BATH
A4.01 SCALE: 3/8" = 1'-0"



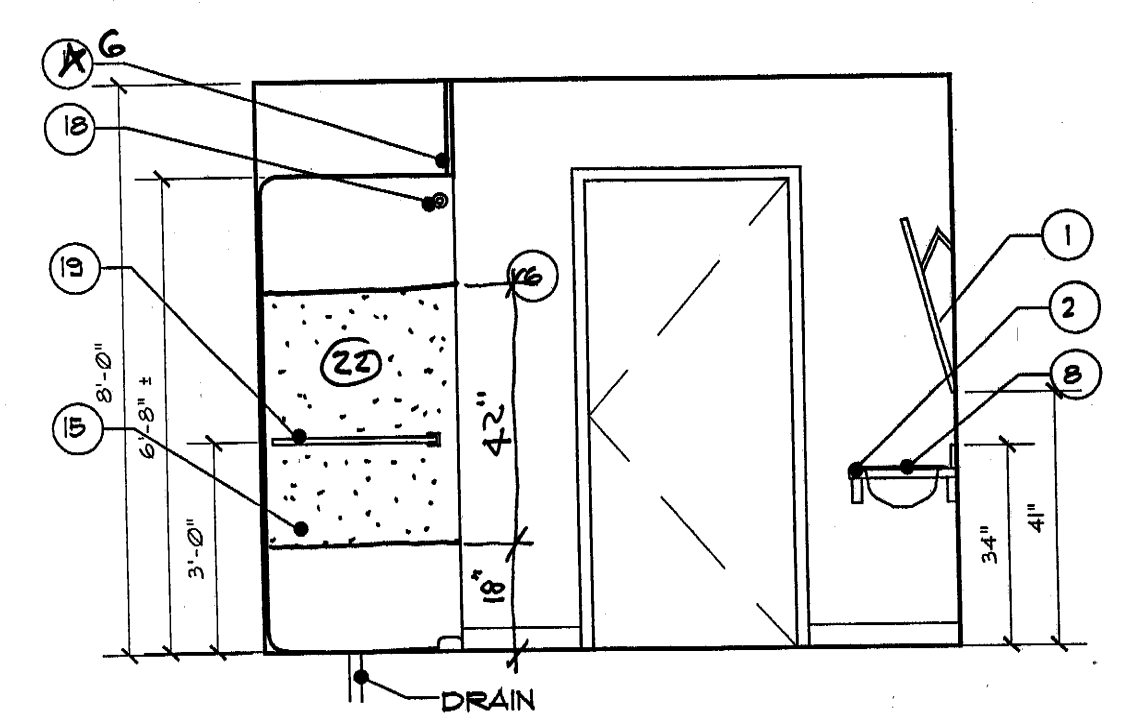
E ELEVATION
SCALE: 3/8" = 1'-0"



F ELEVATION
SCALE: 3/8" = 1'-0"



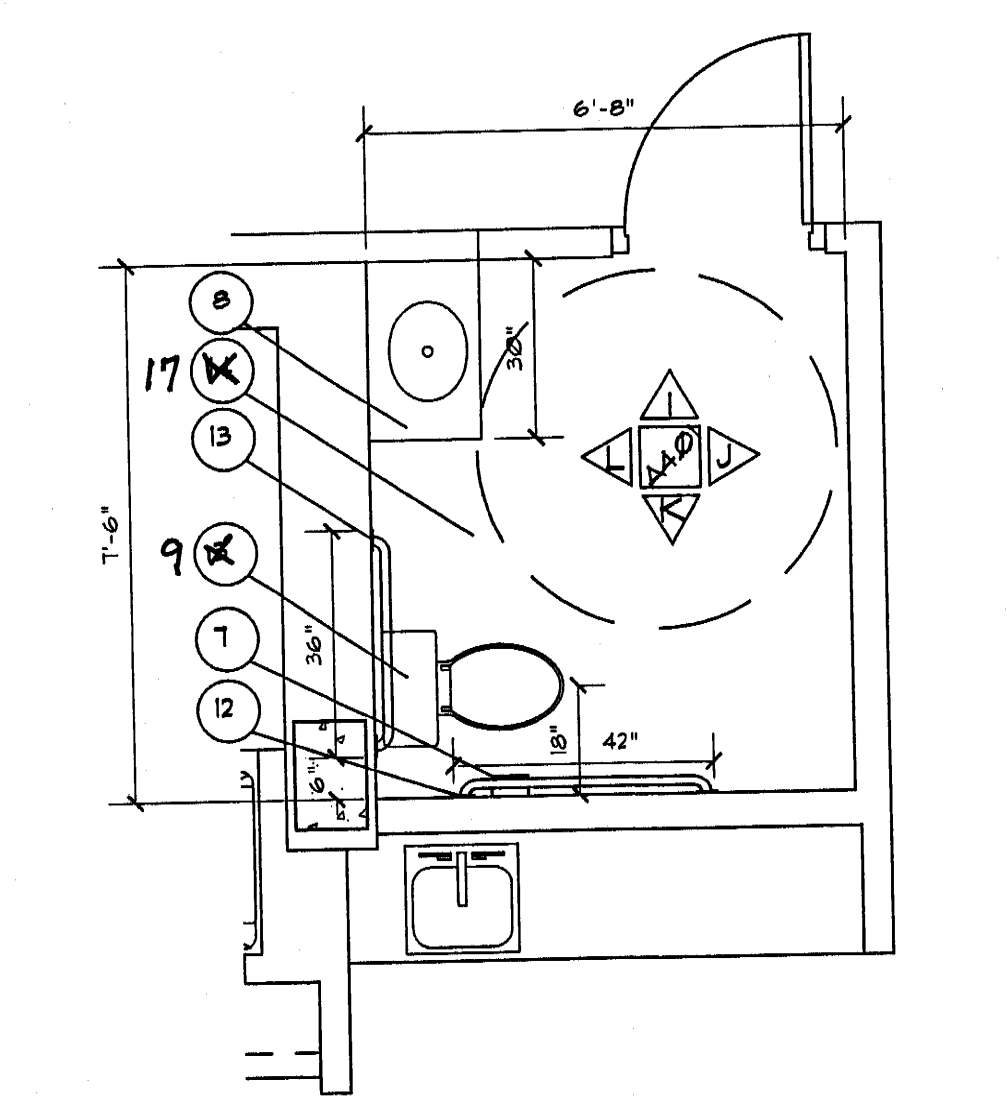
G ELEVATION
SCALE: 3/8" = 1'-0"



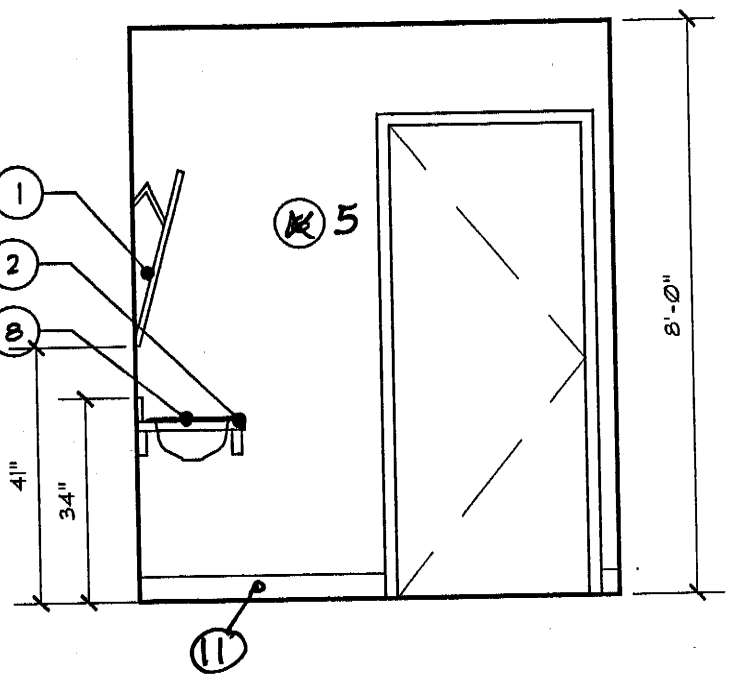
H ELEVATION
SCALE: 3/8" = 1'-0"

- MATERIALS KEY
1. 18" X 30" TILT MIRROR
 2. P.L.A.M. WALL HUNG COUNTERTOP
 3. TOILET
 4. 4" VINYL BASE
 5. CERAMIC CERAMIC TILE WALL (FULL 14GT)
 6. PAINTED GUB
 7. TOILET PAPER HOLDER
 8. ADA SINK BASIN
 9. ADA TOILET
 10. TOWEL DISPENSER
 11. CERAMIC CERAMIC TILE BASE
 12. 42" GRAB BAR - PROVIDE BLOCKING AS NECESSARY
 13. 36" GRAB BAR - PROVIDE BLOCKING AS NECESSARY
 14. VCT FLOORING
 15. FIBERGLASS ROLL-IN SHOWER UNIT
 16. WALL MOUNTED LIGHT FIXTURE BY ELEC. CONTRACTOR
 17. CERAMIC CERAMIC TILE FLOOR
 18. SHOWER CURTAIN ROD - 60"
 19. CONT. GRAB BAR AT 2 SIDES OF SHOWER
 20. SHOWER CONTROL
 21. ADJUSTABLE SHOWER ON 30" ROD WITH 60" FLEXIBLE HOSE
 22. BLOCKING

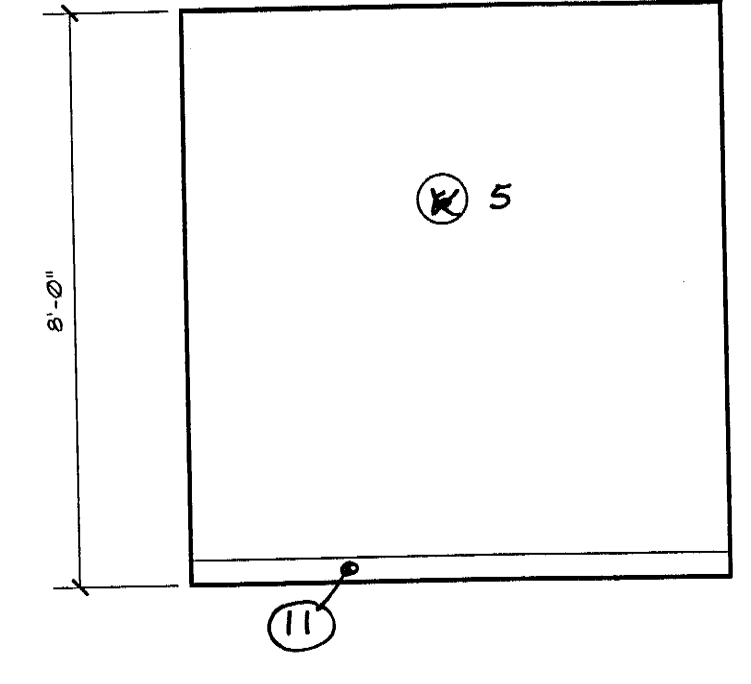
NOTE:
NOTE: SHADED AREAS OF WALLS INDICATE LOCATIONS FOR INSTALLATION OF CONTINUOUS F.R.T. WOOD BLOCKING AS REQUIRED BY 521 CHUR. WHERE BLOCKING IS LOCATED BEHIND PREFABRICATED TUB OR SHOWER UNITS, BLOCKING MUST BE INSTALLED FLUSH TO BACK SURFACE OF PREFABRICATED UNIT. SHADED AREAS DO NOT SHOW EXTENT OF ALL BLOCKING REQUIRED. PROVIDE ADDITIONAL BLOCKING AS NEEDED TO SECURE COUNTERTOPS, BATHROOM SPECIALTIES, ETC.



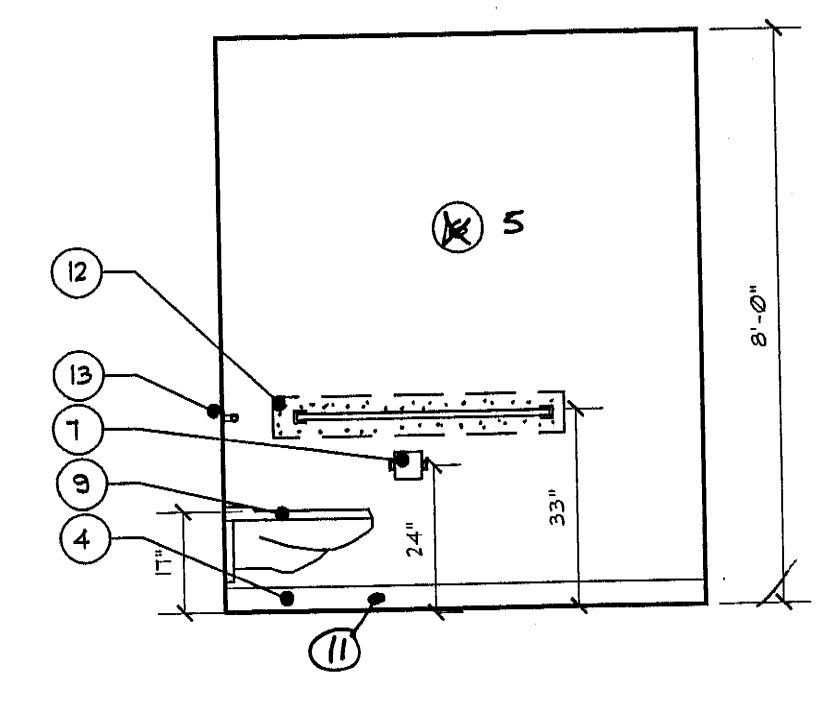
3 TYPICAL HP UNIT BATH
A4.01 SCALE: 3/8" = 1'-0"



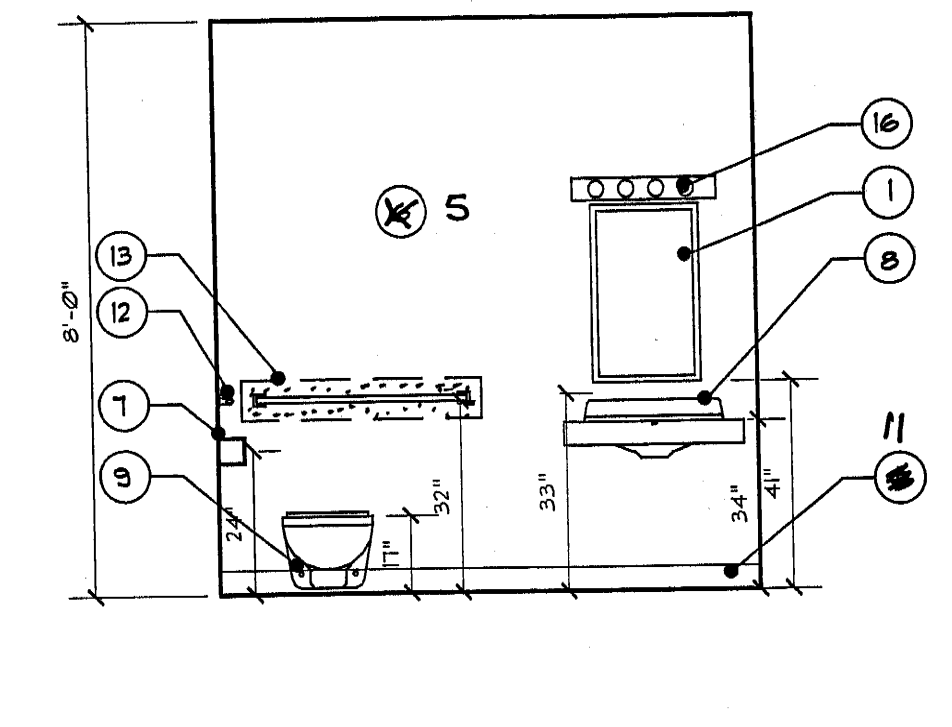
I ELEVATION
SCALE: 3/8" = 1'-0"



J ELEVATION
SCALE: 3/8" = 1'-0"



K ELEVATION
SCALE: 3/8" = 1'-0"



L ELEVATION
SCALE: 3/8" = 1'-0"